

### Flexibility for a Variety of Packaging Options

The unique design of the Avery Dennison IndES Elastic Staple System secures items to flat card surfaces or multi-level card packaging designs. With fastener lengths ranging from 15mm to 200mm and tensile grades ranging from standard to heavy-duty, these pliable staples stretch to a wide variety of product shapes and sizes. This flexible system can be used as a stand-alone unit or integrated into automated high volume packaging lines to position and securely hold products on a backing card or within a package, such as:

- Toys
- Socks
- Jewelry
- DIY tools
- Home textiles
- Kitchen utensils
- Sporting goods accessories

The IndES Elastic Staple System helps reduce overall packaging and associated costs while improving productivity compared to using:

- Clamshells
- Cable ties
- Blister packs
- Twist ties



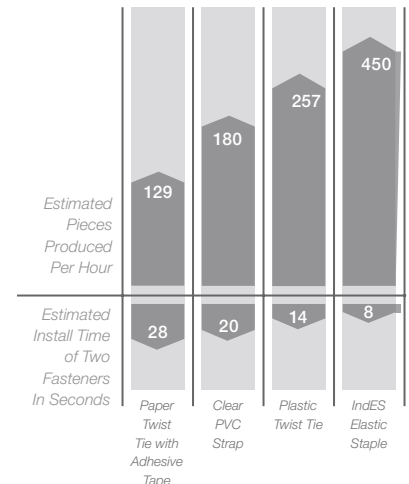
### Faster Packaging for Greater Productivity

Replacing conventional manual packaging methods with the Avery Dennison IndES Elastic Staple System can:

- Decrease downtime by reducing time and steps in packaging production
- Reduce operator workload
- Reduce packaging materials

#### PACKAGING METHODS

Estimates based on internal testing. Application of two fasteners to attach a product to a backing card.



### Sustainable Packaging

Water and energy use, solid waste production, and CO2 emissions are reduced when compared to conventional packaging methods such as plastic cable ties and paper twist ties. Using the IndES Elastic Staples can eliminate excess packaging and reduce the amount of materials being transported.

In addition to this, our Ecotach™ Elastic Staples can help reduce waste by reducing the amount of single-use plastic that would go into a landfill environment.

Ecotach Elastic Staples are made from a proprietary blend of thermoplastic polyurethane material specifically designed to degrade\* at an accelerated rate of 10.63% over 45 days in landfill conditions. The technology used results in no microplastics\* so that when this staple completely degrades, all that is left is carbon dioxide, water, and microbes (biomass). Comparatively speaking, a typical thermoplastic polyurethane fastener would degrade ~0% over the same time frame and take anywhere from 20 -30 years to break down, depending on environmental conditions.

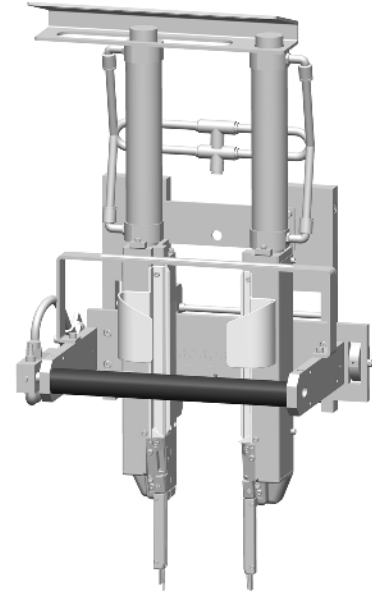
Once the Ecotach Elastic Staple is placed into a landfill, naturally occurring bacteria in that environment breaks the fastener down without leaving behind microplastics or any other harmful substances.\* These products are shelf-stable and will not begin to degrade unless put into the designated end-of-life waste stream.

\*We have completed 3rd party ASTM D5511-18 testing that shows that our Ecotach Elastic Staples degrade 10.63% over 45 days in a landfill environment. We do not have data showing how much time it takes for the fasteners to completely degrade.

## Technical Specifications

### IndES® Elastic Staple® System

### IndES® Elastic Staple® Module



IndES® Module with Handle Part# 11601-0	
Gross Weight	5.7kg (12.6lbs)
Overall Dimensions	54cm x 27.2cm x 18.6 cm (21.29" x 10.7" x 7.32")
Operating Pressure	0.28MPi (40 psi) – 0.55MPi (80 psi)
Cycle Speed	0.6 seconds
*Min. Needle Spacing	12.7mm (.50")
*Max. Needle Spacing	160mm (6.30")

The IndES Elastic Staple System has an adjustable feature that allows the operator to apply a single staple or double staple in a single actuation.

Avery Dennison also offers a Reinforced Backing Solution™ as an additional option for fastening bulky or heavy weight products when using the IndES Elastic Staple System.

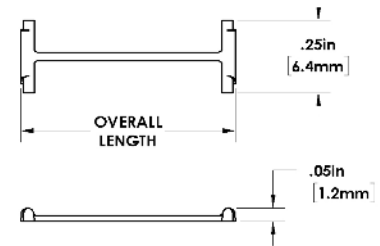
To learn more about this option [watch this video](#).

Reinforced Backing Solution™ (Optional)	
Part #	Description
11608-0	Module Set only
11607-0	Full Solution

The information contained herein is believed to be reliable but Avery Dennison makes no representations concerning the accuracy or correctness of the data. This product, like any other should be tested by the customer/user thoroughly under end user conditions to ensure the product meets the particular requirements. Independent results may vary. Avery Dennison and the logo are registered trademarks of Avery Dennison Corp. Third party trademarks and/or trade names used herein are the property of their respective owner(s).  
 © 2022 Avery Dennison Corporation, All Rights Reserved. Patents Pending Patent Number 8695799, 9193492, D738712, 9199756



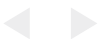
Part # Natural	Part # Black	Part# Ecotach™ Natural	Class	Overall Length		*Minimum Elongation		Qty Per Reel
				MM	INCH	MM	INCH	
11625-2	11645-1	11750-0	Standard	15	1/2	25.4	1.00	15,000
11626-2	11646-1	11751-0	Standard	19	3/4	25.4	1.00	15,000
11627-2	11647-1	11752-0	Standard	25	1	44.5	1.75	15,000
11628-2	11648-1	11753-0	Standard	30	1-3/16	44.5	1.75	15,000
11629-2	11649-1	11754-0	Standard	33	1-1/4	44.5	1.75	15,000
11630-2	11650-1	11755-0	Standard	37	1-1/2	44.5	1.75	15,000
11631-2	11651-1	11756-0	Standard	41	1-5/8	44.5	1.75	15,000
11632-2	11652-1	11757-0	Standard	44	1-3/4	82.5	3.25	15,000
11633-2	11653-1	11758-0	Standard	50	2	82.5	3.25	15,000
11634-2	11654-1	11759-0	Standard	54	2-1/8	82.5	3.25	15,000
11635-2	11655-1	11760-0	Standard	58	2-1/4	82.5	3.25	15,000
11636-2	11656-1	11761-0	Standard	64	2-1/2	101.5	4.00	15,000
11637-2	11657-1	11762-0	Standard	68	2-5/8	101.5	4.00	15,000
11638-2	11658-1	11763-0	Standard	73	2-7/8	101.5	4.00	15,000
11639-2	11659-1	11764-0	Standard	75	2-15/16	101.5	4.00	15,000
11640-2	11660-1	11765-0	Standard	80	3-1/8	101.5	4.00	15,000
11641-2	11661-1	11766-0	Standard	85	3-3/8	190.5	7.50	15,000
11642-2	11662-1	11767-0	Standard	90	3-1/2	190.5	7.50	15,000
11643-2	11663-1	117678-0	Standard	95	3 - 3/4	190.5	7.50	15,000
11644-2	11664-1	117679-0	Standard	100	3 - 15/16	190.5	7.50	15,000
11685-0	11690-0		Standard	110	4 - 5/16	190.5	7.50	10,000
11686-0	11691-0		Standard	120	4 - 3/4	190.5	7.50	10,000
11687-0	11692-0		Standard	130	5 - 1/8	190.5	7.50	10,000
11688-0	11693-0		Standard	140	5 - 1/2	190.5	7.50	10,000
11689-0	11694-0		Standard	150	5 - 7/8	190.5	7.50	10,000
11710-0			Standard	165	6 - 1/2	220	8.66	10,000
11711-0			Standard	180	7 - 3/16	220	8.66	10,000
11712-0			Standard	200	7 - 7/8	220	8.66	10,000
11720-1	11730-1		Heavy Duty	25	1	44.5	1.75	15,000
11721-1	11731-1		Heavy Duty	37	1-1/2	44.5	1.75	15,000
11722-1	11732-1		Heavy Duty	45	1-3/4	82.5	3.25	15,000
11723-1	11733-1		Heavy Duty	54	2-3/16	82.5	3.25	15,000
11724-1	11734-1		Heavy Duty	64	2-9/16	101.5	4.00	15,000
11725-1	11735-1		Heavy Duty	75	2-15/16	101.5	4.00	15,000
11726-1	11736-1		Heavy Duty	90	3 - 9/16	190.5	7.50	15,000
11727-1	11737-1		Heavy Duty	100	3 - 15/16	190.5	7.50	15,000



Elastic Staple®	
Standard Staple Tensile Strength:	5.0 lbf Minimum (2.27kgf)
Heavy Duty Staple Tensile Strength:	6.0 lbf Minimum (2.72kgf)
Material:	Thermoplastic Polyurethane
Weight:	0.026 min / 0.077max grams
Package:	10,000 or 15,000 Per Reel
Staple Temperature Range	60°C (140°F) to -26°C (-15°F)
Standard Staple Application Machine(s):	11600 IndES® Module (All staple sizes) 10790, VNS & 10797, SNS (All sizes except 85mm - 100mm)
Heavy Duty Staple Application Machine(s):	11601, 11606 IndES® Module (All staple sizes) 11603 IndES® Hosiery Benchmark (All staple sizes)

IndES® Needles and Accessories	
Part #	Description
11606-0	IndES® module without handle
11616-0	Spring Mounting Stand
11618-0	Non Tapered Needle
11619-0	Tapered Needle
10751-0	Brush Anvil 102mm x 102mm, 4" x 4"
11610-0	APU Benchtop Unit
11623-0	Adjustable Needle Spacing Kit
11609-0	Heavy Duty 101mm Needle
11621-0	Hosiery Needle

The information contained herein is believed to be reliable but Avery Dennison makes no representations concerning the accuracy or correctness of the data. This product, like any other should be tested by the customer/user thoroughly under end user conditions to ensure the product meets the particular requirements. Independent results may vary. Avery Dennison and the logo are registered trademarks of Avery Dennison Corp. Third party trademarks and/or trade names used herein are the property of their respective owner(s).  
© 2022 Avery Dennison Corporation, All Rights Reserved. Patents Pending Patent Number 8695799, 9193492, D738712, 9199756



### Secure and Attractive Packaging

The strong, pliable staples stretch to a wide variety of product shapes and sizes. Unlike cable ties or twist ties, elastic staples are thin and enable a clean appearance of the product when secured to the packaging.

While you can realize gains in production efficiency, the most important advantage of using the IndES Elastic Staple is at the point-of-sale. Consumers can easily read the product information and messages typically displayed on the back of a card. Here's a comparison of packaging using conventional twist ties versus the same packaging using the IndES Elastic Staple system.



**Fastening with Conventional Twist Ties**

**Fastening with IndES® Elastic Staple®**

### Elevates the Consumer's Experience

Reduced packaging creates a better view of the product, increasing overall shelf appeal and providing a positive consumer experience both before and after the sale through:

- Improved visuals of the product at the point-of-sale
- Increased customer interaction with the product, which remains securely packaged
- Faster, easier and safer removal of the product

### Elevating Brands, Accelerating Performance

To view the IndES Elastic Staple system in action [watch this video](#).

For more information visit [fastener.averydennison.com](http://fastener.averydennison.com), call or email us at [fastener@averydennison.com](mailto:fastener@averydennison.com) ✉

**USA & CANADA**

224 Industrial Road  
Fitchburg, MA 01420  
Tel +978 345 8100 (direct)  
Tel +800 225 5913  
Fax +800 848 2169

**LATIN AMERICA**

Aristóteles #123  
Parque Industrial Kalos  
Apodaca, Nuevo León  
66600 México  
Tel +52 (81) 3348 0700  
Fax +52 (81) 8864 4101

**ASIA**

No. 7 Chun Ying Street  
Tseung Kwan O  
Industrial Estate  
New Territories, Hong Kong  
Tel +852 2372 3000  
Fax +852 2873 6436

**EUROPE, MIDDLE EAST & AFRICA**

1 Thomas Road  
Woburn Green  
Bucks HP10 0PE  
Tel +(44) 1628 859500  
Fax +(44) 1628 859567

[fastener.averydennison.com](http://fastener.averydennison.com)