

Electronic Single-Head Automatic Embroidery Machine

TMBP-SCSERIES

Options

Seed Beads Device

By automating beads embroidery which was previously performed manually by craftsmen, mass production has been realized.



Sequin Device IV

Embroidering various sequins: small-diameter sequins, large-diameter sequins, irregular-shaped sequins and eccentric sequins



Frames



▲Tubular Frame(Standard)
(360mm x 500mm)



▲Cap Frame 2
(75mm x 360mm)



▲Border Frame
(360mm x 500mm)



▲Sock Frame
(50mm x 30mm)



▲Air type Clamp Frame 2
(80mm x 120mm
110mm x 140mm
140mm x 200mm)



▲Air type Pocket Frame 2
(90mm x 30-258mm)



▲Pocket Frame
(45mm x 80mm)



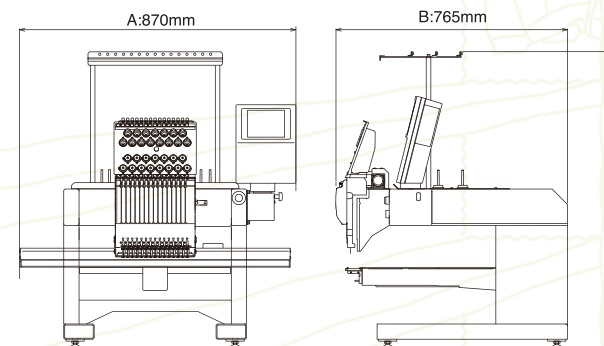
▲X-Extension Frame
(360mm x 1200mm)



▲M-Frame

Specifications

Needles	6, 12, 15
Factory options	Seed Beads Device, Sequin Device IV, Lochrose Embroidery Device, Signal Tower, Position Marker, LED Lamp, Air Type Clamp Frame 2, Air Type Pocket Frame 2
Options	High-Speed Cording Device, Emb. Lamé Attachment, Stand Tray, Stand, Border Frame, X-Extension Frame, Cap Frame 2, Pocket Frame, Snarl-preventive Attachment
Speed	Max. 1,200rpm
Electricity	Single-phase 100-120V, 200-240V, 50Hz/60Hz
Power consumption	190W
Weight	95kg



Please contact our distributor listed below.



*The specifications and designs of our products are subject to change without notice for performance improvement.

Seller

Tajima Industries Ltd.

19-22, Shirakabe 3-chome, Higashi-ku Nagoya 461-0011 JAPAN
TEL. +81-52-932-3444, 3445 FAX. +81-52-932-2457, 3449



<http://www.tajima.com>



<https://www.facebook.com/TajimaGroup>

Manufacturer

TISM Co.,Ltd.

*The practical embroidery space and the rotational speed vary depending on embroidery product, machine model, and operating conditions.
*No registered trademark or design of the products contained in this catalog may be used without prior permission.

1903D_01



TAJIMA
EMBROIDERY
SHOP



Fashioning your Future Tajima always leads. never follows

TMBP-SC series

Electronic Single-Head Automatic Embroidery Machine

The latest cost effective, high performance single head successor.



1 Network

2 Slim Cylinder

A wide area can be freely used all around the frame.
It can be easily installed for quick changeover with minimal down time.

The air clamp makes large sized bags easy to embroider.



It can also embroider on slim items like socks.



As the frame screws have been changed the frames can be changed without using tools.



* Mounted with options

1 Network

Embroidery data can be easily sent to the machines by connecting the embroidery software to a network.

For name tag embroidery, autograph is recommended as it simplifies the process. In addition to the DG/ML, it allows for the smoothest design data generation and transmission to the machine.



2 It can easily embroider on sleeves or pockets.

With the new type slim cylinder, it is easier to work on children's wear or smaller pockets.



3 Caps can be embroidered at higher speeds.

Cap production efficiency has been significantly increased.

• Existing machine 900rpm → 1000rpm



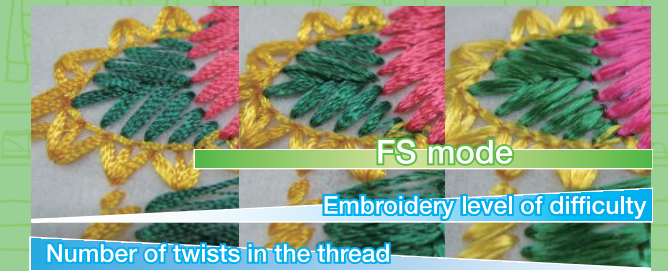
4 The FS mode is good for loosely twisted thread.

The FS mode is best suited for loosely twisted threads as it can embroider this type of fine thread with a high quality finish. By using the FS mode exclusive parts (sold separately) a nice lofty finish can be achieved.

FS mode



FS mode Optional Parts



FS mode

Embroidery level of difficulty

Number of twists in the thread

5 Working comfortably facilitates work



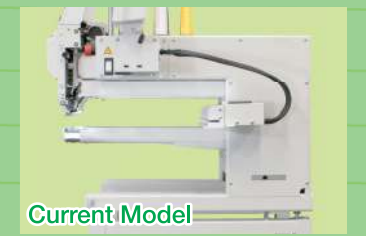
Needle Base LED Lamps illuminate the work area and are equipped as a standard specification.

A Position marker to make the design start point more visible and enable accurate positioning of the design. (optional)

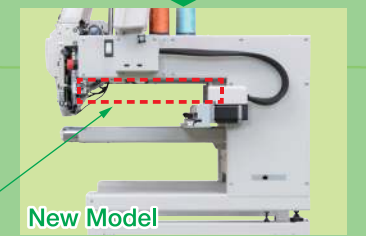
6 A streamlined Cubical Frame Design

Relocating the frame drive to the upper position widens the frame operating field. Embroider without worrying about the size of the item being embroidered or the embroidery position.

Wide area can be freely used!



Current Model



New Model